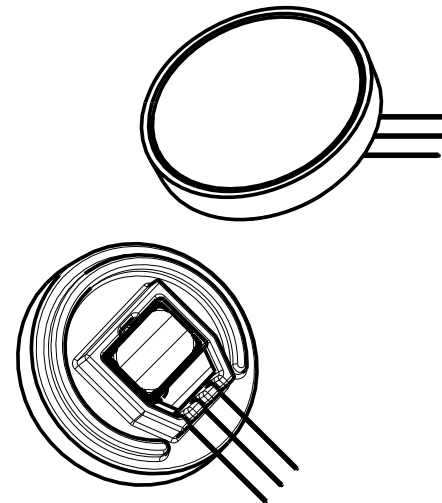
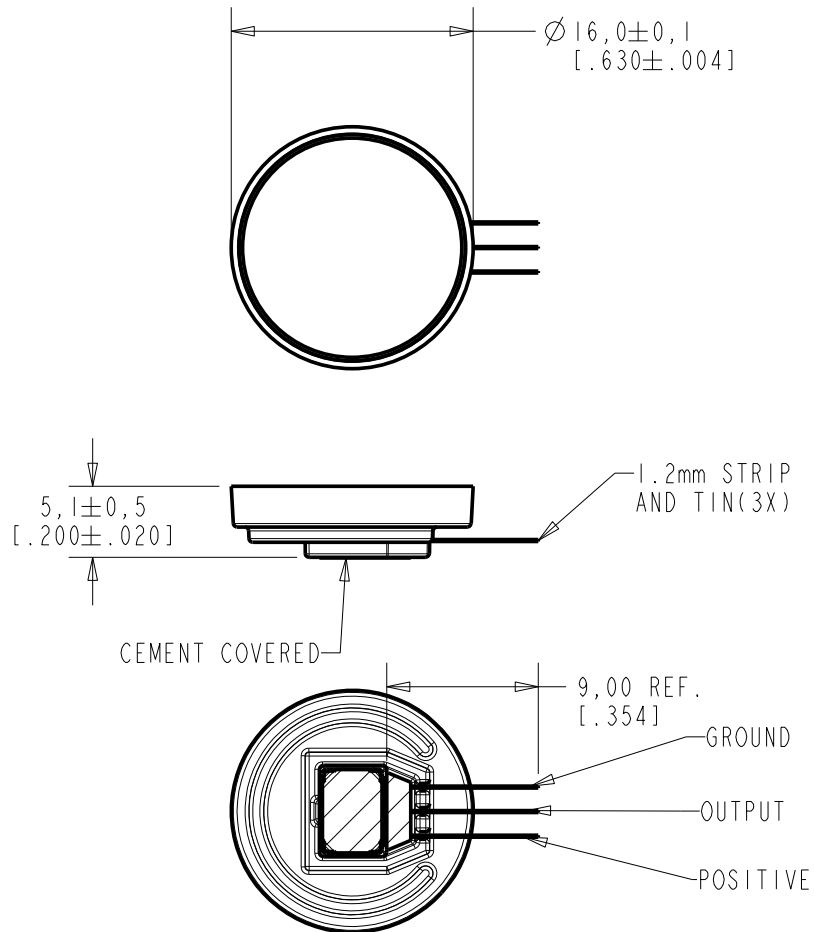


VEK-F-30300-000
SHT 1.1

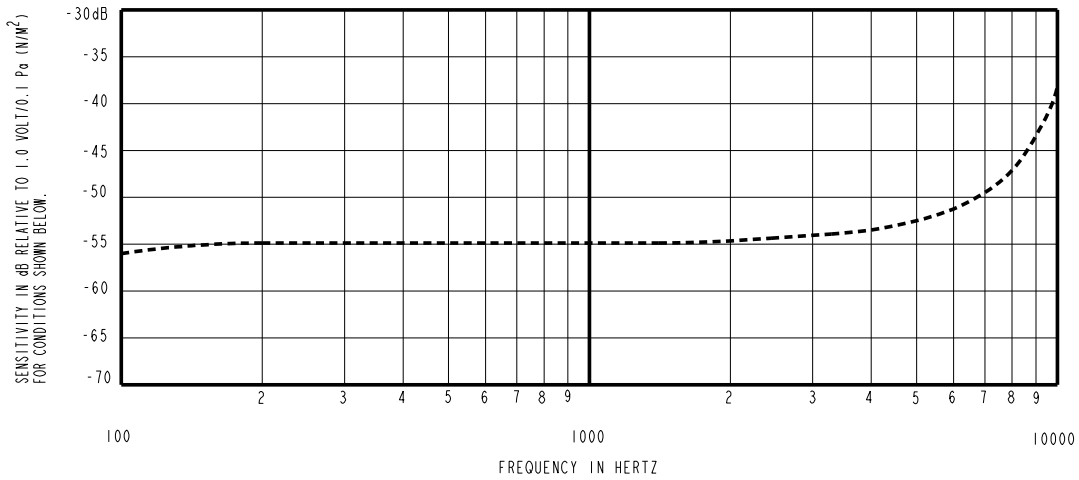


WIRE COLOUR			WEIGHT GRAMS
POSITIVE	OUTPUT	GROUND	
RED	YELLOW	BLUE	---

DIMENSIONS IN MILLIMETERS [INCHES]

Revision	C.O. #	Implementation Date	RELEASE LEVEL	REVISION
B	C10109741	7-30-09	Active	B
A	C10108531	12-11-08		
SCALE: 2:1				
DO NOT SCALE DRAWING			DR. BY	DATE
WATERPROOF MICROPHONE & CABLE VEK-F-30300-000			TT	12-11-08
			CK. BY	DATE
OUTLINE DRAWING			GJP	12-11-08
			APP. BY	DATE
			GJP	12-11-08
			SHT 1.1	

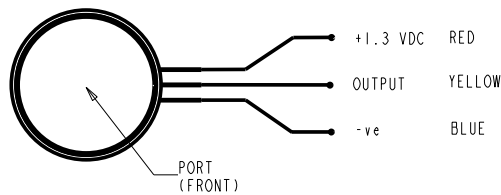
KNOWLES ELECTRONICS
ITASCA, ILLINOIS U.S.A.



FREQUENCY	SENSITIVITY			DEVICE CONFORMITY	
	MIN.	NOM.	MAX.	RANGE OF DEVIATION FROM 1KHz	
100	---	-56.0	---	-4.0	+2.0
1000	-58.0	-55.0	-52.0	0.0	0.0
10000	---	-38.0	---	+12.0	+22.0

NOTES:

1. MICROPHONE TO BE FUNCTION WITH 10 VDC SUPPLY.
2. SENSITIVITY VALUES INDICATED ON THIS SPECIFICATION ARE VALID AT 50% HUMIDITY.
3. TEST CONDITIONS:
SEAL PRODUCT TO 74 dBSPL SWEPT
SOUND FIELD CREATED BY VOICE APERTURE.
ARTIFICIAL VOICE:
B & k 4227 MOUTH SIMULATOR.
4. FOR MICROPHONE CAPSULE SPEC. SEE DRAWING EK-23132-000 SHEET 2.1.
5. SURVIVES 20m SUBMERSION BASED ON QUALIFICATION TESTING;
100% TEST 30 MINUTES 1m SUBMERSION; SENSITIVITY WITHIN
3dB OF INITIAL SENSITIVITY AFTER DRIED FOR 30 MINUTES AT ROOM TEMPERATURE.



LEAD IDENTIFICATION & TEST CIRCUIT

Revision	C.O. #	Implementation Date	RELEASE LEVEL	REVISION
B	C10109741	7-30-09	Active	B
A	C10108531	12-11-08		

KNOWLES ELECTRONICS
ITASCA, ILLINOIS U.S.A.

WHEN TEST LIMITS ARE USED TO ESTABLISH INCOMING INSPECTION ACCEPTANCE/REJECTION CRITERIA, CORRELATION OF TEST EQUIPMENT WITH KNOWLES IS ALSO REQUIRED FOR ELIMINATION OF EQUIPMENT AND TEST METHOD VARIATION

WATERPROOF MICROPHONE & CABLE VEK-F-30300-000

PERFORMANCE SPECIFICATION **SHT 2.1**

DR. BY	DATE
TT	12-11-08
CK. BY	DATE
GJP	12-11-08
APP. BY	DATE
GJP	12-11-08